

Vino Styx Installation Instructions

Required tools: Phillips Head Screw Driver
Level
Pencil
Drill and 1/2 inch drill bit
Tape Measure

Included Parts: 1 Vino Styx
2 Screws

2 Toggle Bolts
2 Mounting Hole Caps

Fasteners:

There are two pre-drilled mounting holes in each rack. Appropriate fasteners for your wall surface must be utilized in both mounting holes for proper installation. Fasteners for drywall and wood surfaces are included with your rack. We recommend the following fasteners for these surfaces:

- Attaching to drywall, use the 2 included Toggle Bolts
- Wood wall surfaces can use 2 included Screws (#8 X 1 ¼")
- Concrete, Brick or Stucco: 3/16" x 1 ¼" masonry screw or #8 x 1 ¼" screw with appropriate size expanding concrete anchor

1. Mark the mounting hole locations - Reference Figure A below to ensure appropriate minimum clearances around the Vino Styx and hold the rack against the wall. Use a level to ensure the rack is horizontal and mark the mounting hole locations on the wall with a pencil (Figure B) before setting the Vino Styx aside.

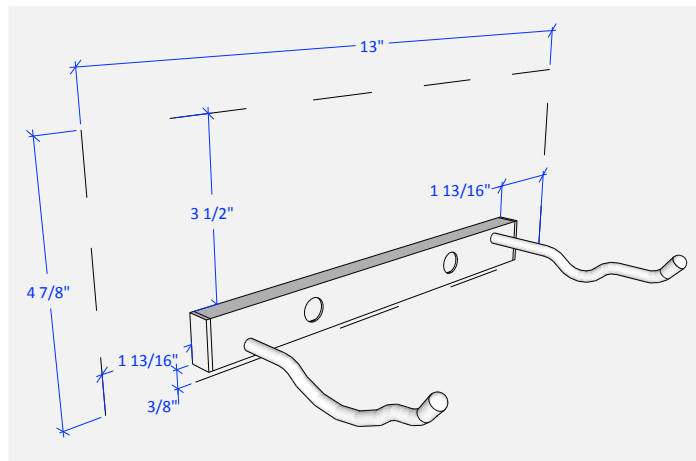


Figure A

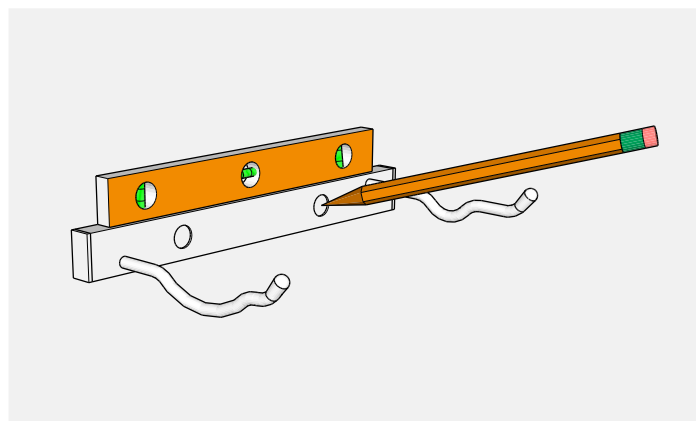


Figure B

2. Drill the anchor holes - Drill a 1/2 inch (13.7mm) hole for the Toggle Bolts centered on the marked hole locations (Figure C).

Note: If attaching to a wood wall surface more than 1/2 inch thick or if a hole location is over a stud, do NOT drill the hole for the Toggle Bolt. Instead, a Screw should be used to fasten the strip into the wood/stud at that mounting point.

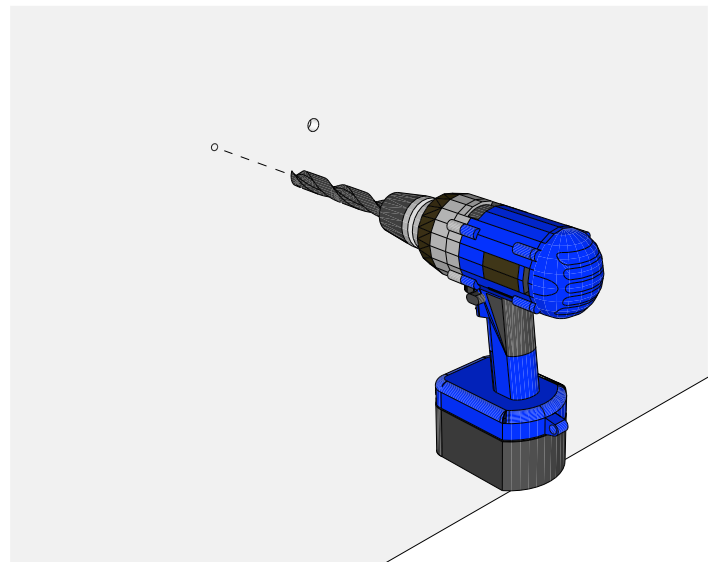


Figure C

3. **Install the rack** - Remove the expanding nuts from the Toggle Bolts. Insert the bolts through the mounting holes and, with the wings of the nut oriented to fold toward the head of the bolt, thread an expanding nut back onto each bolt until the tip of the bolt starts to protrude from the end of the nut. Hold the strip so the Toggle Bolt aligns with the 1/2 inch holes and gently push the expanding nut through the wall (Figure D). Ensure that the wings of the expanding nuts have fully expanded on the back side of the wall and tighten the bolts, verifying that the rack remains level.

4. **Finish up** - Install the mounting hole caps in the 1/2 inch holes on the face of the rack by pressing into place (Figure E) and you're done!

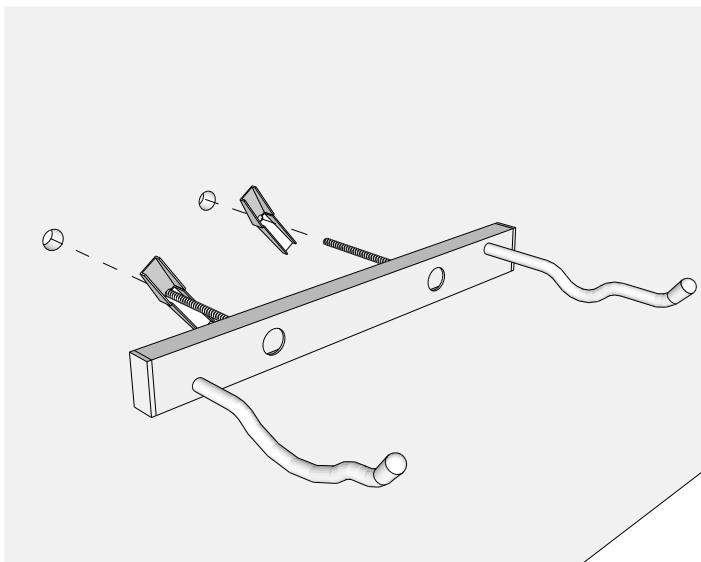


Figure D

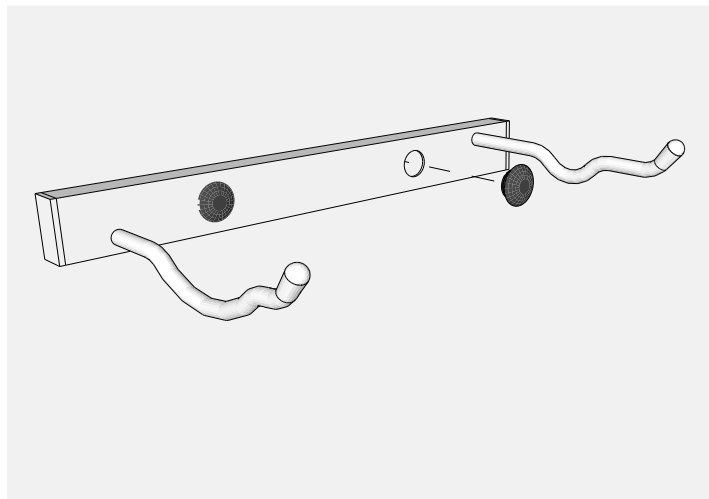


Figure E

